



142-ST97

IGM Straightline Edgebanding and Trimming Kit for Worktable ST95A

Operating instructions



Distributor:
IGM nástroje a stroje s.r.o.
Ke Kopanině 560, 252 67, Tuchoměřice
Czech Republic, EU
Phone: +420 220 950 910
E-mail: sales@igmttools.com
Website: www.igmttools.com

2022-07-13
142-ST97 IGM Trimming Kit Manual EN v2.6.00 A4ob



Operating Instructions EN

Please read this manual thoroughly and follow the safety instructions in it! Technical changes and printing errors reserved!

Dear customer,
this manual contains information and important guidelines for the assembly and proper use of the Straightline Edgebanding and Trimming Kit.

Please read and follow the safety instructions!



Carefully read these instructions before using the machine. Operation of the machine will be simpler and you will also lower the risk of injury while eliminating the probability of incorrect operation and possible damage to the machine.

Because of our policy of constant improvement, the design, construction or pictures may differ slightly. Should you discover any mistakes, please contact us at podpora@igm.cz.

1. SPECIFICATIONS

1.1 Set description

Front fence

- 1 Guiding the work piece to worktable at the front

Back fence

- 2 Guiding the work piece through the work table

Stable plate

3 Spacer for passing edge band

Moveable frame

4 Leveling spacer for work piece

Lead fence

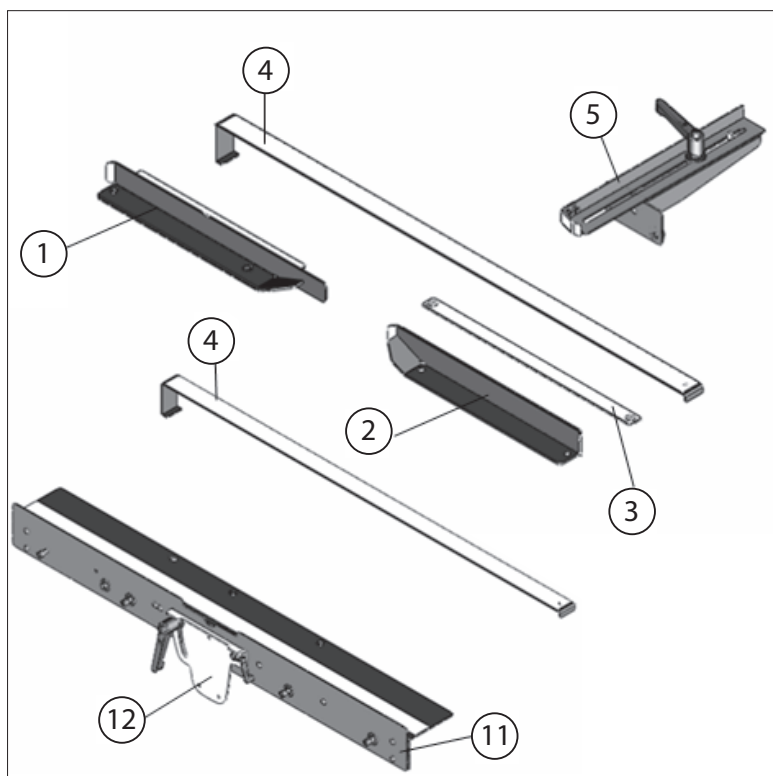
5 Lead work piece to worktable

11 Straight lead fence

Fix trimmer holder on worktable.

12 Trimmer holder

Fasten trimmer



Assemble and operation

- Worktable is compatible for straightline edge banding and trimming operation, follows (Fig1) to begin installation.
- Make sure the roller is horizontal to the back fence and fasten by screw (Fig 2).
- Make sure the room between front and back fence can fit the tap and two fences are horizontal (Fig 3).

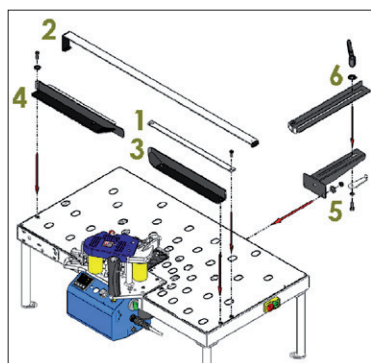


Fig 1

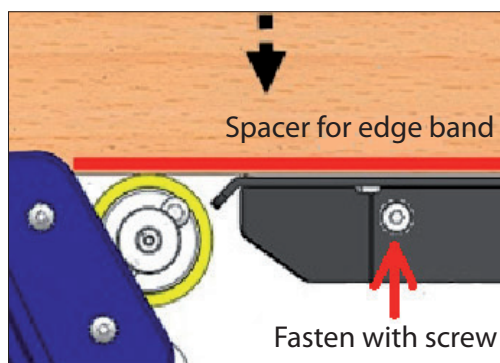


Fig 2

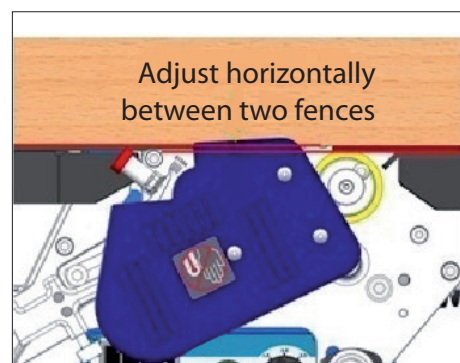


Fig 3

- Mount and fasten the lead plate on worktable. (Fig 4)
- Adjust the appropriate length for work piece and fasten with adjustable handle. (Fig 5)
- Set the appropriate width for the work piece, and follow the direction shown on (Fig 6)

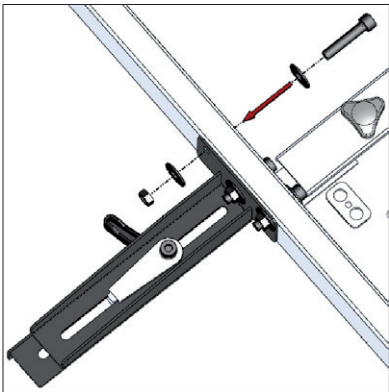


Fig 4

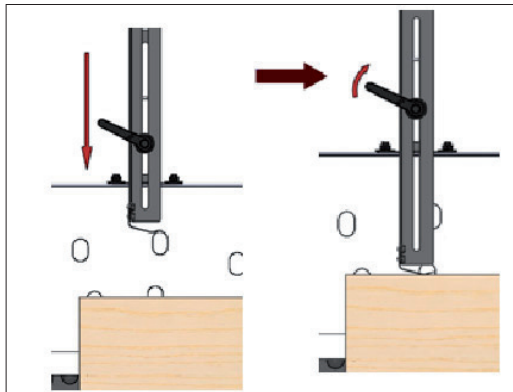


Fig 5

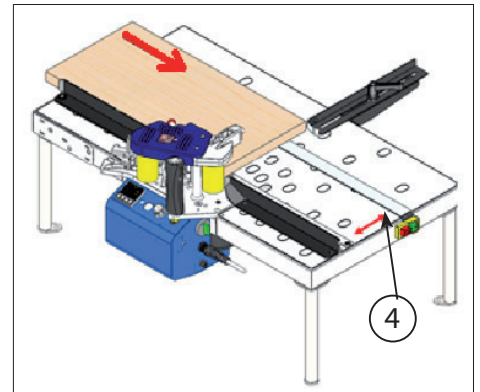


Fig 6

Mount and operate trimmer on worktable

- Mount trimmer on the worktable, and operate with straightline trimming procedure.
- Make sure the trimmer is mounted with adjustable handle, axle.1 and cap.2 stably. Also screw the cap.2 and cap3 tightly. (Fig 2)
- Make sure the trimmer tightened with screw.1 and trimmer holder can swag, than fasten the cap.A tightly
- Fasten screw.2 to the side of work table tightly (Fig3).

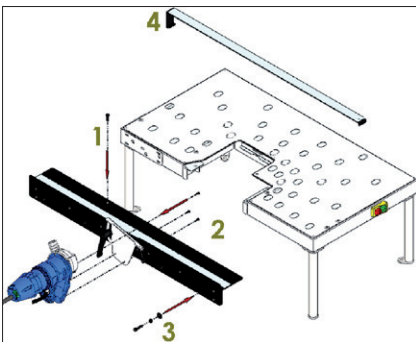


Fig 1

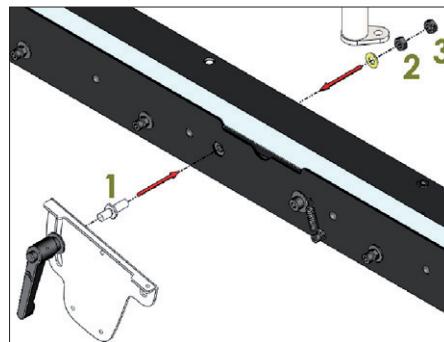


Fig 2

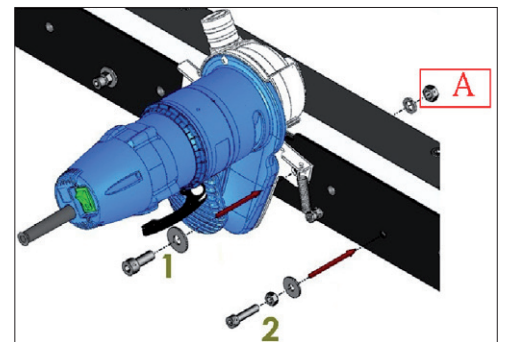


Fig 3

- Adjust the bearing with router bit lean against work piece. Fasten the adjustable handle and check the trimmer holder which can swag up and down. After the correction, place movable plate on work table, adjust the appropriate width and follow the instruction as shown on (Fig6)

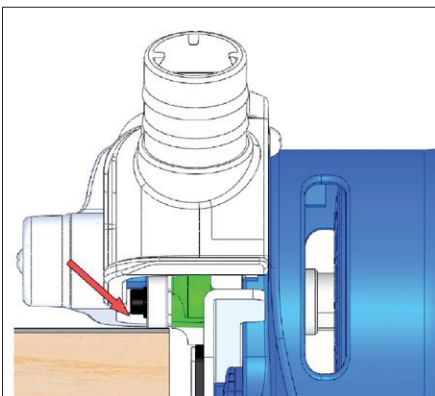


Fig 4

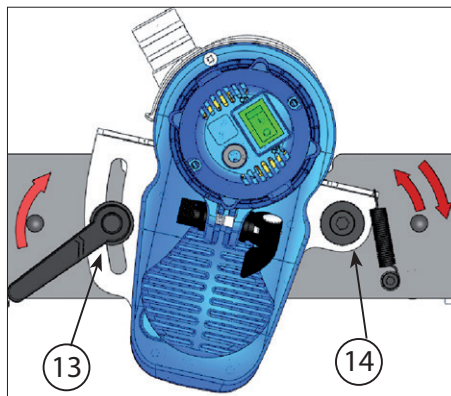


Fig 5

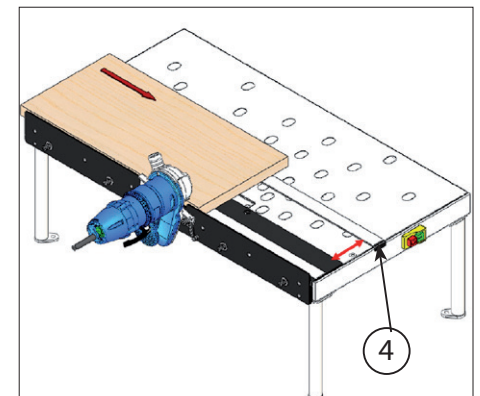


Fig 6



© 2022 IGM nástroje a stroje s.r.o.

IGM nástroje a stroje s.r.o., Ke kopanině 560,
Tuchoměřice, 252 67, Czech Republic, E.U.
+420 220 950 910, www.igmtools.com